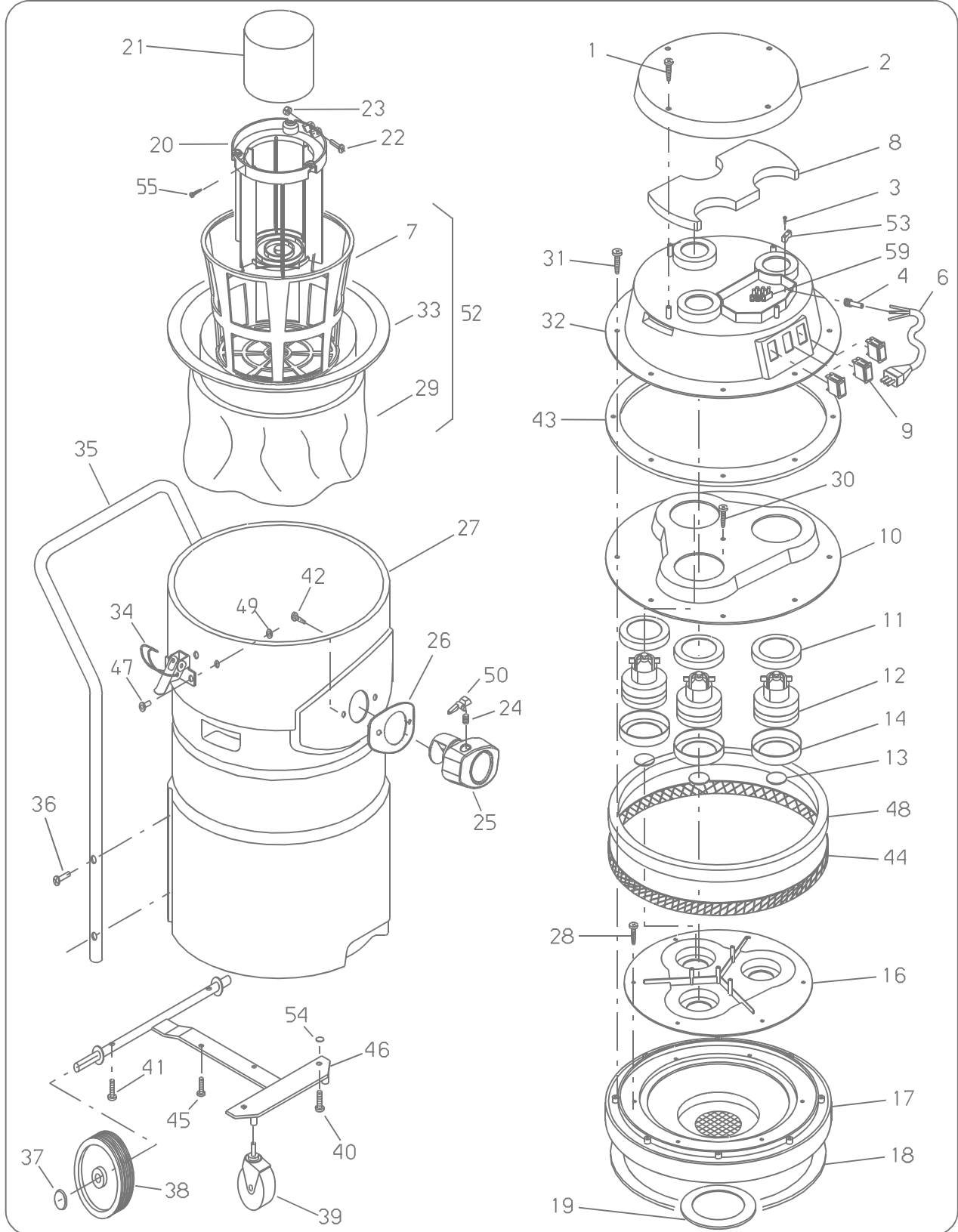


C63F1

**ASPIRAPOLVERE/ASPIRALIQUIDI CLEAN AIR 553MS - WET&DRY
 VACUUM CLEANER CLEAN AIR 553MS - ASPIRATEUR EAU/POUSSIERE
 CLEAN AIR 553MS - STAUB WASSER SAUGER CLEAN AIR 553MS**



N.Posit	Code	Qta	Descrizione	Description	Description	Bezeichnung
C63.A.01	VA323	4	VITE FIL.RAP.5x16 TC S/PUNTA	SCREW	VIS	SCHRAUBE
C63.A.02	CZ004*	1	COPERCHIO	COVER	COUVERCLE	DECKEL
C63.A.03	VA265	2	VITE AUTOFIL.TC CROCE 3,5x22	SCREW	VIS	SCHRAUBE
C63.A.04	PY309	1	PASSACAVO IN GOMMA NERA	BLACK RUBBER FAIRLEAD	PASSECCABLE NOIR	KABELDURCHGANG
C63.A.06	PY999*	1	CAVO ELETTRICO	ELECTRIC CABLE	CABLE ELECTRIQUE	ELEKTR. KABEL
C63.A.07	CL044	1	CESTELLO TENDIFILTRO	CAGE-SHUT OFF	PANIER	KASTEN
C63.A.08	FO006	1	MAT. POLIESTIC	POLIESTIC MAT.	MAT.POLIESTIC	POL.KUNSTSTOFF
C63.A.09	IN010	3	INTERRUTTORE	ON/OFF SWITCH	INTERRUPTEUR	SCHALTER
C63.A.10	DF010	1	DISCO FERMA MOTORE D.420 3 FORI	DISC	DISQUE	SCHEIBE
C63.A.11	GR072	3	GUARNIZIONE A L 145x3.5	GASKET	JOINT	DITHUNG
C63.A.12	MO999*	3	MOTORE ASPIRAZIONE	SUCTION MOTOR	MOTEUR ASPIRATION	ANSAUGMOTOR
C63.A.13	TO004	3	VALVOLA MOTORE	MOTOR VALVE	SOUPAPE	MOTORVENTIL
C63.A.14	GR072	3	GUARNIZIONE A L 145x3.5	GASKET	JOINT	DITHTUNG
C63.A.16	DF005	1	DISCO PORTA MOTORI D.420	ADAPTER LOWER	DISQUE	SCHEIBE
C63.A.17	CB004*	1	CALOTTA BASE D.420	CAP BASE D.420	CALOTTE	KAPPE
C63.A.18	GO010	1	GUARNIZIONE CALOTTA BASE D.420	DOME GASKET	GARNITURE	KAPPEDICHTUNG
C63.A.19	GO009	1	GUARNIZIONE GALLEGGIANTE	GASKET-SHUT OF CAM	GARNITURE	SCHWIMMERDICHTUNG
C63.A.20	CL043	1	CESTELLO	CAGE-SHUT OFF	PANIER	KASTEN
C63.A.21	GE003	1	GALLEGGIANTE	CAN-SHUT OFF	FLOTTEUR	SCHWIMMER
C63.A.22	VC218	1	VITE CILIN.CROCE M5x45	SCREW M5x45	VIS	SCHRAUBE
C63.A.23	DD203	1	DADO M5	NUT	ECROU	MUTTER
C63.A.24	ML137	1	MOLLA	SPRING FOR UNION	RESSORT	FEDER
C63.A.25	BC007	1	BOCCHETTONE	ADOPTER TANK INTAKE	GOULOTTE	STUTZEN
C63.A.26	GO044	1	GUARNIZIONE BOCCHETTONE D.40	GASKET-TANK INTAKE	GARNITURE	STUTZENDICHTUNG
C63.A.27	CN101	1	FUSTO 420x600 BIANCO	ABS SCHAFT	CUVE ABS	SCHAFT
C63.A.28	VA322	6	VITE FIL.RAP.5x13 TC S/PUNTA	SCREW	VIS	SCHRAUBE
C63.A.29	SF009	1	SACCO FILTRO h=360	FILTER BAG	SAC FILTRE	FILTERBEUTEL
C63.A.30	VA326	4	VITE FIL.RAP.5x25 TC S/PUNTA	SCREW	VIS	SCHRAUBE
C63.A.31	VA326	8	VITE FIL.RAP.5x25 TC S/PUNTA	SCREW	VIS	SCHRAUBE
C63.A.32	CU003*	1	CALOTTA COPRI MOTORE D.420 3 FORI	COVER MOTOR	CALOTTE	MOTORKAPPE
C63.A.33	AN004	1	ANELLO FILTRO D.420	FILTER RING D.420	BAGUE FILTRE	FILTERRING
C63.A.34	CC004	2	GANCIO ZINGATO	GALVANIZED HOOK	CROCHET ZINGUE	VERZINKTER HAKEN
C63.A.35	MR007	1	MANICO NERO	BLACK HANDLE FOR CLEA	POIGNEE	GRIFF
C63.A.36	VC227	4	VITE CILIN.CROCE M6x25	SCREW	VIS	SCHRAUBE
C63.A.37	CF009	2	CUFFIA BLOCCA RUOTE	WHEEL PROTEC. CASING	PROTECTEUR	RADSCHUTZKASTEN
C63.A.38	RT022	2	RUOTA FISSA	WHEEL	ROUE	RAD
C63.A.39	RT023	2	RUOTA PIVOTTANTE	CASTER WHEEL	ROUE	RAD
C63.A.40	VE280	2	VITE ESAGONALE M10x16	SCREW	VIS	SCHRAUBE
C63.A.41	VC227	2	VITE CILIN.CROCE M6x25	SCREW	VIS	SCHRAUBE
C63.A.42	VA230	2	VITE AUTOFIETT.4.8x22	SCREW	VIS	SCHRAUBE
C63.A.43	FO001	1	MAT. POLIESTIC	POLIESTIC MAT.	MAT. POLIESTIC	POL.KUNSTSTOFF
C63.A.44	FO002	1	RETINA IN ALLUMINIO	ALLUMINIUM NET	FILET	NETZ
C63.A.45	VC221	2	VITE CILIN.CROCE M6x10	SCREW	VIS	SCHRAUBE
C63.A.46	BR026	1	CARRELLO MARKET	TRUCK BASE	BASE CHARIOT	WAGENUNTERLAGE
C63.A.47	RV031	4	RIVETTO 4.8x16	RIVET 4.8x16	RIVET 4.8x16	NIET 4.8x16
C63.A.48	FO003	1	MAT. POLIESTIC	POLIESTIC MAT.	MAT. POLIESTIC	POL.KUNSTSTOFF
C63.A.49	RO202	4	RONDELLA NORMALE DIAM. 5	WASHER	RONDELLE	SCHEIBE
C63.A.50	SE004	1	LEVETTA BLOCCO TUBO FLEX	LEVER	LEVIER	HEBEL
C63.A.52	KF106	1	ASSEMBLAGGIO FILTRO D.420x360	FILTER BAG ASSEMBLY	ASSEMBL. FILTRE	FILTERZUSAMMENBAU
C63.A.53	PY252	1	FERMACAVO	U BOLT	BARRETTE	BUEGELBOLZEN
C63.A.54	RO205	2	RONDELLA NORMALE DIAM. 10	WASHER	RONDELLE	SCHEIBE
C63.A.55	VA266	2	VITE AUTOFIETTENTE 3.5x6.5	SCREW	VIS	SCHRAUBE
C63.A.59	PY182	1	MORSETTIERA MAMMUT A 3 POLI PA44	TERMINAL BOARD	BORNIER	KLEMMENBRETT

Ing. O. FIORENTINI s.r.l.

Sede e Stabilimenti: **50030 PIANCALDOLI** - Loc. ROMBOLA (Firenze) Tel.055/8173610 - Fax 055/817144

50030 PIETRAMALA - Via del Molino (Firenze) Tel. 055/813447

Filiale: **00155 ROMA** - Via Carlo Carrà, 13
Tel.06/22754040/60 - Fax 06/22754065

Filiale:**20132 MILANO** - Via Palmanova, 211/A
Tel.02/27207783 - 2564810 - Fax 02/2592779

E-mail: inform@ingfiorentini.it - sales@ingfiorentini.it - www.ingfiorentini.it