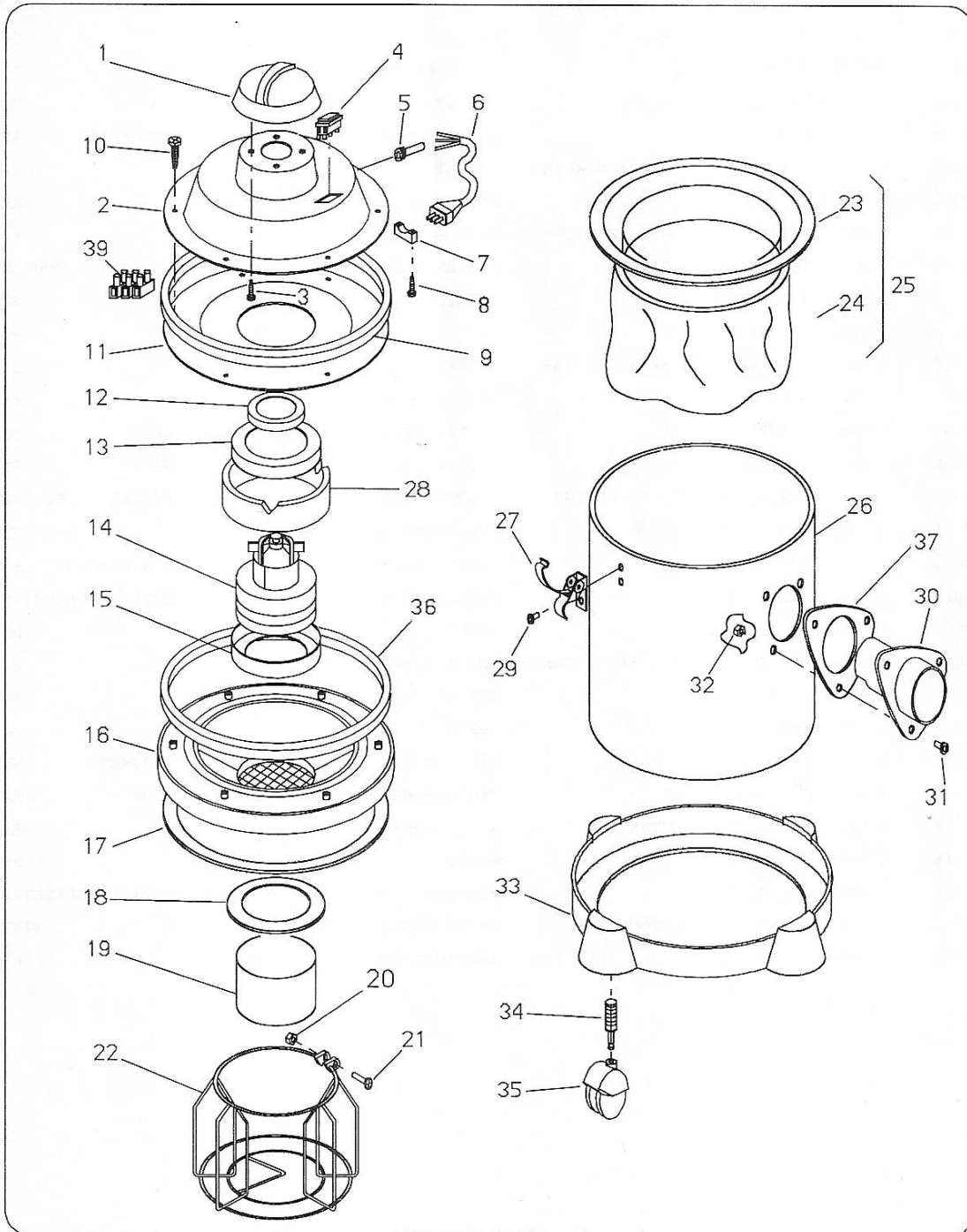


F13F1

ASPIRAPOLVERE/ASPIRALIQUIDI FIBEL 100 - WET&DRY VACUUM
CLEANER FIBEL 100 - ASPIRATEUR EAU/POUSSIERE FIBEL 100-
STAUB WASSER SAUGER FIBEL 100

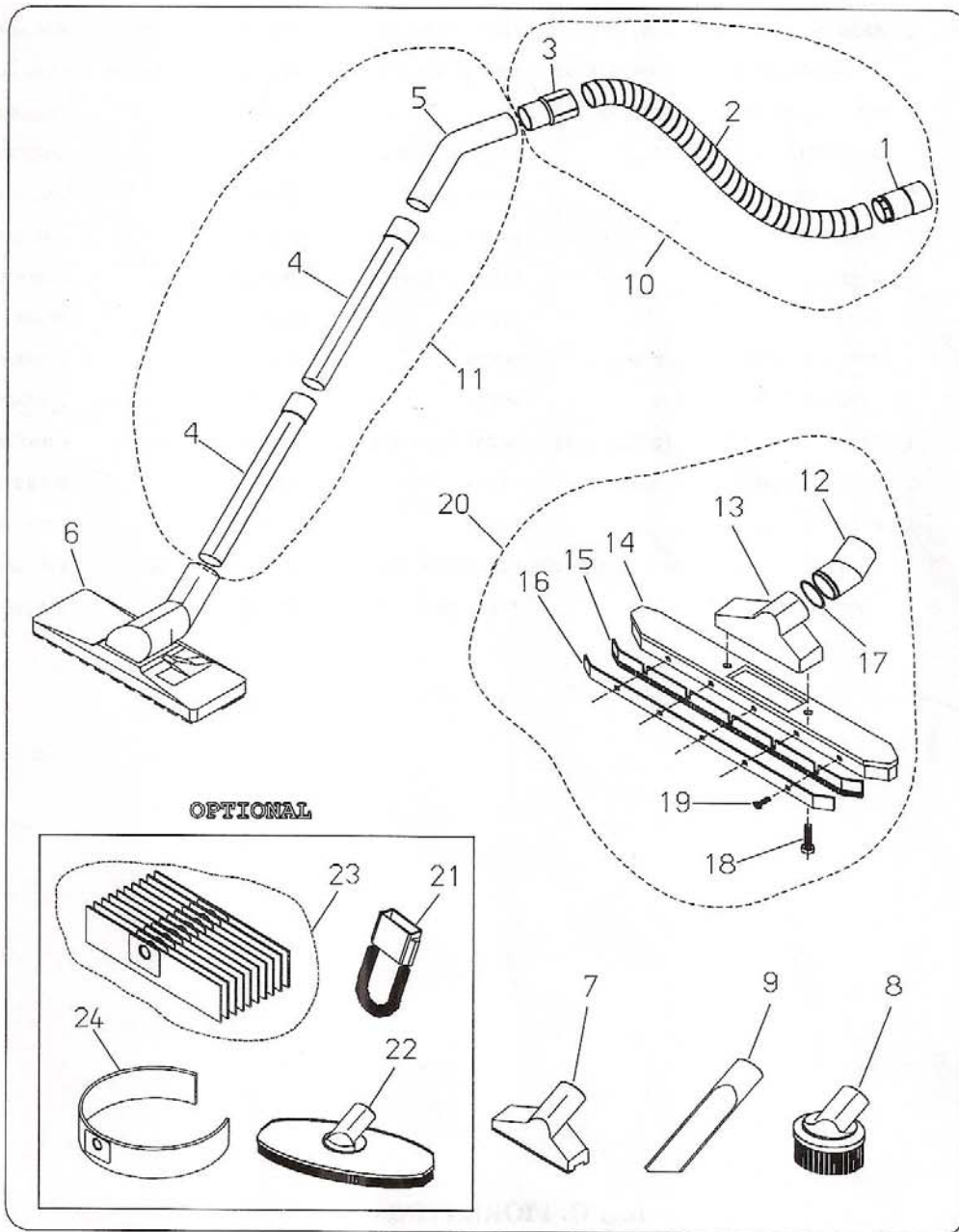


N.Posit	Code	Qta	Descrizione	Description	Description	Bezeichnung
F13.A.01	CZ001*	1	COPERCHIO	COVER	COUVERCLE	DECKEL
F13.A.02	CU001*	1	CALOTTA COPRI MOTORE	MOTOR CAP	CALOTTE	MOTORKAPPE
F13.A.03	VA322	4	VITE FIL.RAF.5x13 TC S/PUNTA	SCREW	VIS	SCHRAUBE
F13.A.04	IN010	1	INTERRUTTORE	ON/OFF SWITCH	INTERRUPTEUR	SCHALTER
F13.A.05	PY309	1	PASSACAVO IN GOMMA NERA	BLACK RUBBER FAIRLEAD	PASSECCABLE NOIR	KABELDURCHGANG
F13.A.06	PY999*	1	CAVO ELETTRICO	ELECTRIC CABLE	CABLE ELECTRIQUE	ELEKTR. KABEL
F13.A.07	PY252	1	FERMACAVO IN PLASTICA	CABLE HOLDER	ARRETE-CABLE	KABELSPERRE
F13.A.08	VA261	2	VITE AUTOFIL.TC CROCE 3,5x19 UNI6	SCREW	VIS	SCHRAUBE
F13.A.09	FO011	1	MAT. POLIESTIC	POLIESTIC MAT.	MAT. POLIESTIC	POLIESTIC KUNSTSTOFF
F13.A.10	VA323	6	VITE FIL.RAF.5x16 TC S/PUNTA	SCREW	VIS	SCHRAUBE
F13.A.11	DF002	1	BRIGLIA FERMA MOTORE	BRIDLE	CRAMPON	SPERRE
F13.A.12	GO014	1	CONVOGLIATORE	CONVEYOR	CONVOYEUR	FOERDERER
F13.A.13	GR072	1	GUARNIZIONE A L 145x3.5	GASKET	JOINT	DITHTUNG
F13.A.14	MO999*	1	MOTORE ASPIRAZIONE	SUCTION MOTOR	MOTEUR ASPIRATION	ANSAUGMOTOR
F13.A.15	GR102	1	GUARNIZIONE A L 145x3.5 MORBIDA	GASKET	JOINT	L-DITHTUNG
F13.A.16	CB001*	1	CALOTTA BASE D.285	CAP BASE D.285	CALOTTE	KAPPE
F13.A.17	GO001	1	GUARNIZIONE CALOTTA BASE D.285	DOME GASKET	GARNITURE	KAPPEDICHTUNG
F13.A.18	GO002	1	GUARNIZIONE GALLEGGIANTE	GASKET FLOAT	GARNITURE	SCHWIMMERDICHTUNG
F13.A.19	GE001	1	GALLEGGIANTE	FLOAT	FLOTTEUR	SCHWIMMER
F13.A.20	DD203	1	DADO M5 UNI 5588/65	NUT	ECROU	MUTTER
F13.A.21	VC219	1	VITE CILIN.CROCE M5x35 UNI 7687	SCREW	VIS	SCHRAUBE
F13.A.22	CL002	1	CESTELLO h=155	BASKET h=155	PANIER	KASTEN
F13.A.23	AN001	1	ANELLO FILTRO D.285	FILTER RING D.285	BAGUE FILTRE	FILTERRING
F13.A.24	SF002	1	SACCO FILTRO h=190	FILTER BAG	SAC FILTRE	FILTERBEUTEL
F13.A.25	KF002	1	ASSEMBLAGGIO FILTRO D.285x190	FILTER ASSY	ASSEMBL. FILTRE	FILTERZUSAMMENBAU
F13.A.26	CN001*	1	FUSTO ABS D.285x300	ABS SHAFT D.285x300	CUVE ABS	SCHAFT
F13.A.27	CC003	2	CHIUSURA A SCATTO	SNAP CLOSURE	FERMETURE A RESSORT	FEDERSCHLUSS
F13.A.28	FO012	1	MAT. POLIESTIC	POLIESTIC MAT.	MAT. POLIESTIC	POLIESTIC KUNSTSTOFF
F13.A.29	RV003	4	RIVETTO 3,8x9	RIVET	RIVET	NIETE
F13.A.30	BC015	1	BOCCHETTONE D.32 PER SACCO CARTA	UNION D.32	GOULOTTE	STUTZEN
F13.A.31	VC200	2	VITE 4x12	SCREW	VIS	SCHRAUBE
F13.A.31A	VC204	1	VITE 4x16	SCREW	VIS	SCHRAUBE
F13.A.32	DD251	1	DADO AUTOBLOCCANTE M4	SELF-LOCKING NUT	ECROU DE SURETE	MUTTER
F13.A.33	BR001*	1	BASE CARRELLO D.285	TRUCK BASE D.285	BASE CHARIOT	WAGENUNTERLAGE
F13.A.34	BS001	4	BUSSOLA RUOTE PIVOTTANTI	ROTAT.WHEELS BUSH	DOUILLE	RAEDERBUCHSE
F13.A.35	RT018	4	RUOTA PIVOTTANTE	WHEEL	ROUE	RAD
F13.A.36	FO011	1	MAT. POLIESTIC	POLIESTIC MAT.	MAT. POLIESTIC	POLIESTIC KUNSTSTOFF
F13.A.37	GO013	1	GUARNIZIONE BOCCHETTONE D.32	UNION GASKET	GARNITURE	STUTZENDICHTUNG
F13.A.39	PY182	1	MORSETTIERA MAMMUT A 3 POLI PA44	TERMINAL BOARD	BORNIER	KLEMMENBRETT

fiorentini

KO051N

KIT ACCESSORI D.32 POLVERE/LIQUIDI - KIT ACCESSORIES
D.32 WET/DRY - KIT ACCESSOIRES D.32 EAU/POUSSIÈRE -
ZUBEHÖR WASSERSTAUB KIT D.32



N.Posit	Code	Qta.	Descrizione	Description	Description	Bezeichnung
K51.01	EE001N	1	MANICOTTO GIREVOLE D.32	ROTATING SLEEVE	MANCHON	SCHLAUCH, SCHWARZ
K51.02	FF001N	1	TUBO FLESSIBILE D.32 DA 2.16 mt	FLEX. PIPE D.32	TUYAU FLEXIBLE	SCHLAUCH, SCHWARZ
K51.03	EE002N	1	MANICOTTO D.32	SLEEVE	MANCHON	SCHLAUCH, SCHWARZ
K51.04	HH001	2	TUBO RIGIDO D.32 (1 pezzo)	NOT FLEXIBLE PIPE	TUYAU	ROHR
K51.05	RR001	1	CURVA D.32	CURVE	COURBE	KRUEMMER
K51.06	ZZ002	1	SPAZZOLA DOPPIO USO D.32	BRUSH	BROSSE	BUERSTE
K51.07	ZZ011N	1	SPAZZOLA DIVANI D.32	BRUSH	BROSSE	BUERSTE
K51.08	ZZ021N	1	PENNELLO D.32	BRUSH	BROSSE	PINSEL
K51.09	LL001N	1	LANCIA PIATTÀ D.32	FLAT LANCE	SUCEUR PLAT	FLACHLANZE
K51.10	KT001N	1	ASSEMBLAGGIO TUBO FLEX. D.32	FLEX. PIPE ASSY	ASS. TUYAU FLEX	SCHLAUCHZUS
K51.11	KC002	1	ASSEMBLAGGIO DOPPIA CURVA D.32	DOUBLE BEND ASSY	ASS. DOUBLE COURBE	DOPPELBOGENZUSAMMENBAU
K51.12	RR002	1	CURVA SPAZZOLA LIQUIDI D.32	CURVE	COURBE	KRUEMMER
K51.13	BA001	1	BOCCHETTA ASPIRANTE D.32	SUCTION MOUTH D.32	SUCEUR	SAUDUESE
K51.14	CQ001	1	CORPO SPAZZOLA	BRUSH BODY	CORPS BROSSE	BUERSTENKOERPER
K51.15	LA013	2	MONOLAMA	BRUSH SINGLE-BLEDE	MONO LAME	BUERSTENEINZELMESSER
K51.16	LI001	2	LISTELLO	BRUSH STRIP LIQUID	LARDON	BUERSTENLEISTE
K51.17	ML039	1	MOLLA	SPRING	RESSORT	FEDER
K51.18	VC211	2	VITE CILINDRICA CROCE M5x10	SCREW	VIS	SCHRAUBE
K51.19	VA221	10	VITE AUTOFIL. 4.8x9.5	SCREW	VIS	SCHRAUBE
K51.20	KS001	1	ASSEMBL. SPAZZOLA LIQUIDI D.32	BRUSH ASSY LIQUID	ASSEM. BROSSE	BUERSTENZUSAMMENBAU
K51.21	ZZ031	1	SPAZZOLA CALORIFERI D.32	BRUSH	BROSSE	BUERSTE
K51.22	ZZ041	1	SPAZZOLA OVALE D.32	BRUSH	BROSSE	BUERSTE
K51.23	SF808	1	KIT SACCO CARTA 5 PZ x FIBEL 100	KIT PAPER BAG	KIT SAC PAPIER	KIT PAPIERSACK
K51.24	SF807	1	SACCO CARTA x FIBEL 100	PAPER BAG	SAC PAPIER	PAPIERSACK